

**FLEXPAC® LOCKING HEADER,
SINGLE ROW
STRAIGHT CONTACTS
.100" CENTER SPACING**



PHYSICAL PROPERTIES

INSULATION MATERIAL: Thermoplastic rated 94V-0
COLOR: Blue
CONTACT MATERIAL: Phosphor Bronze
CONTACT PLATING: Contact Area, .000030" Gold over .000050" nickel, PCB Area: .000150" Tin over .000050" nickel

ELECTRICAL PROPERTIES

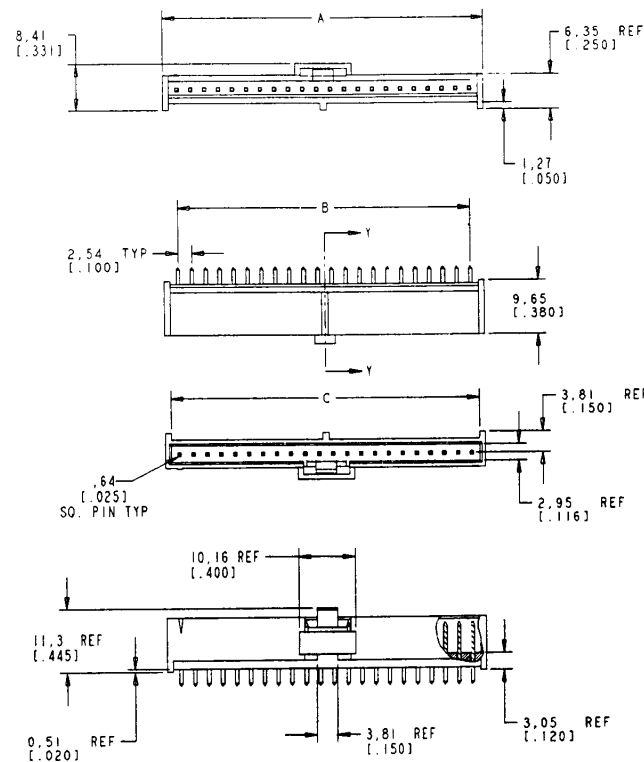
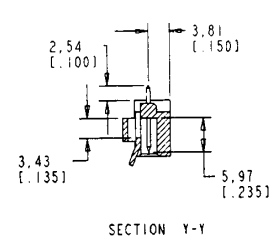
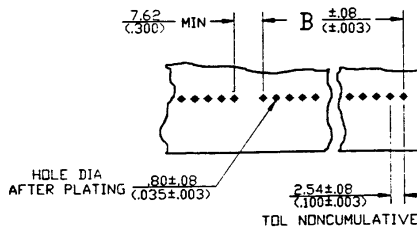
CURRENT RATING: 3 amps
INSULATION RESISTANCE: >1 x 10⁹ Ohms @ 500 VDC
DWV: >500 VRMS at sea level

ENVIRONMENTAL PROPERTIES

TEMPERATURE RATING: - 40°C TO 105°C
UL APPROVAL: E47817

MATING CONNECTOR

See pages 175, 177



Ordering Information

GOLD CONTACT PLATING	TIN CONTACT PLATING	NO. OF POS.	DIMENSIONS		
			A	B	C
FPH-0421G	FPH-0421T	4	12.70 (.500)	7.62 (.300)	10.57 (.416)
FPH-0521G	FPH-0521T	5	15.24 (.600)	10.16 (.400)	13.11 (.516)
FPH-0621G	FPH-0621T	6	17.78 (.700)	12.70 (.500)	15.65 (.616)
FPH-0721G	FPH-0721T	7	20.32 (.800)	15.24 (.600)	18.19 (.716)
FPH-0821G	FPH-0821T	8	22.86 (.900)	17.78 (.700)	20.73 (.816)
FPH-0921G	FPH-0921T	9	25.40 (1.000)	20.32 (.800)	23.27 (.916)
FPH-1021G	FPH-1021T	10	27.94 (1.100)	22.86 (.900)	25.81 (1.016)
FPH-1121G	FPH-1121T	11	30.48 (1.200)	25.40 (1.000)	28.35 (1.116)
FPH-1221G	FPH-1221T	12	33.02 (1.300)	27.94 (1.100)	30.89 (1.216)
FPH-1321G	FPH-1321T	13	35.56 (1.400)	30.48 (1.200)	33.43 (1.316)
FPH-1421G	FPH-1421T	14	38.10 (1.500)	33.02 (1.300)	35.97 (1.416)
FPH-1521G	FPH-1521T	15	40.64 (1.600)	35.56 (1.400)	38.51 (1.516)
FPH-1621G	FPH-1621T	16	43.18 (1.700)	38.10 (1.500)	41.05 (1.616)
FPH-1721G	FPH-1721T	17	45.72 (1.800)	40.64 (1.600)	43.59 (1.716)
FPH-1821G	FPH-1821T	18	48.26 (1.900)	43.18 (1.700)	46.13 (1.816)
FPH-1921G	FPH-1921T	19	50.80 (2.000)	45.72 (1.800)	48.67 (1.916)
FPH-2021G	FPH-2021T	20	53.34 (2.100)	48.26 (1.900)	51.21 (2.016)
FPH-2121G	FPH-2121T	21	55.88 (2.200)	50.80 (2.000)	53.75 (2.116)
FPH-2221G	FPH-2221T	22	58.42 (2.300)	53.34 (2.100)	56.29 (2.216)
FPH-2321G	FPH-2321T	23	60.96 (2.400)	55.88 (2.200)	58.83 (2.316)
FPH-2421G	FPH-2421T	24	63.50 (2.500)	58.42 (2.300)	61.37 (2.416)
FPH-2521G	FPH-2521T	25	66.04 (2.600)	60.96 (2.400)	63.91 (2.516)
FPH-2621G	FPH-2621T	26	68.58 (2.700)	63.50 (2.500)	66.45 (2.616)
FPH-2721G	FPH-2721T	27	71.12 (2.800)	66.04 (2.600)	68.99 (2.716)
FPH-2821G	FPH-2821T	28	73.66 (2.900)	68.58 (2.700)	71.53 (2.816)
FPH-2921G	FPH-2921T	29	76.20 (3.000)	71.12 (2.800)	74.07 (2.916)
FPH-3021G	FPH-3021T	30	78.74 (3.100)	73.66 (2.900)	76.61 (3.016)
FPH-3121G	FPH-3121T	31	81.28 (3.200)	76.20 (3.000)	79.15 (3.116)
FPH-3221G	FPH-3221T	32	83.82 (3.300)	78.74 (3.100)	81.69 (3.216)